

SHURE BROTHERS

Microphone Headquarters

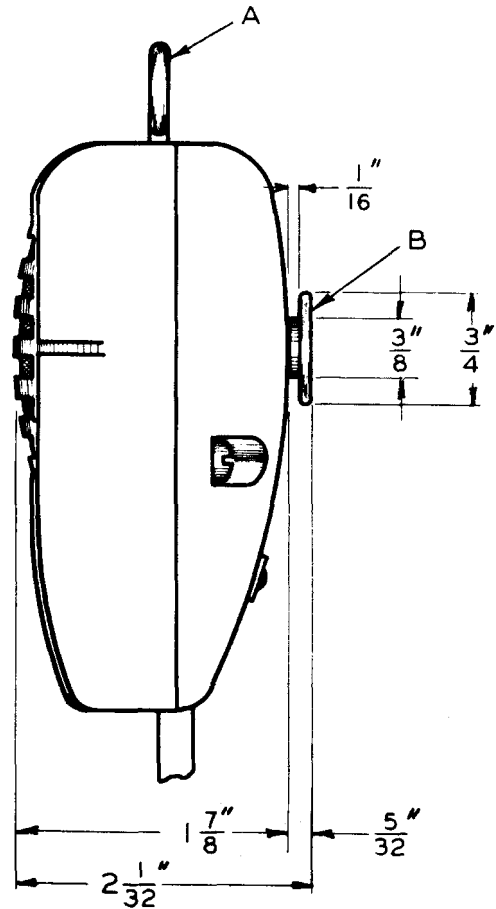
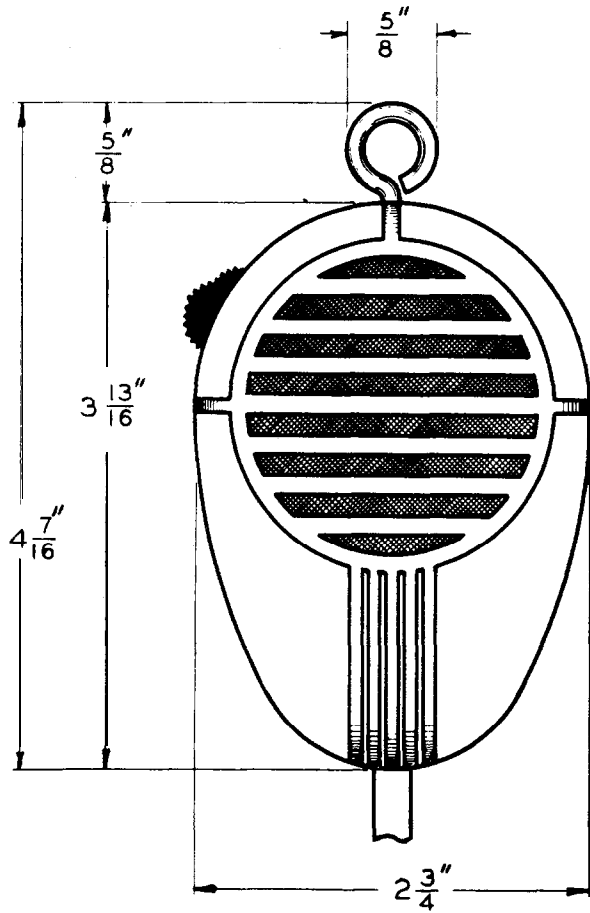
225 WEST HURON STREET • CHICAGO • U.S.A
 TELEPHONE DELAWARE 8383 • CABLE: SHUREMICRO

SPECIFICATION SHEET

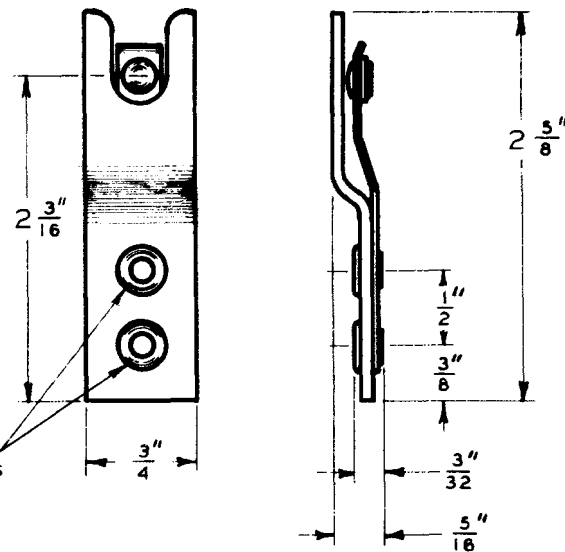
NO: 102

DATE: October 1941

SUBJECT: "100" Series
 Military-type Carbon Microphones
 Models 101, 102, and 105



MOUNTING
 BRACKET
 ASSEMBLY
 99-160

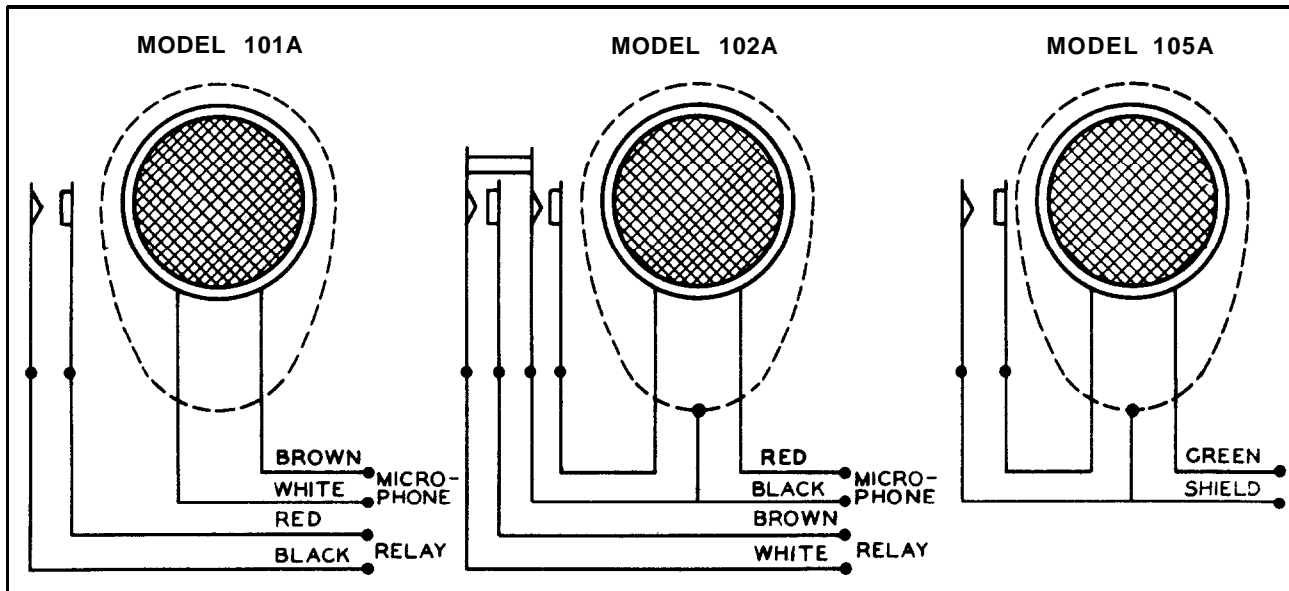


Mounting Holes
 Clearance for
 No. 6 Screw

NOTE: HANGER "A" AND
 MOUNTING STUD "B"
 OPTIONAL.

FOR MOUNTING BRACKET
 SPECIFY ASSEMBLY 99-160.

STANDARD SWITCH and CABLE ASSEMBLIES



No Microphone Switch.

Relay Switch Normally Open.

Four Conductor Unshielded Cable.

Microphone Switch Normally Open.

Relay Switch Normally Open.

Four Conductor Unshielded Cable.

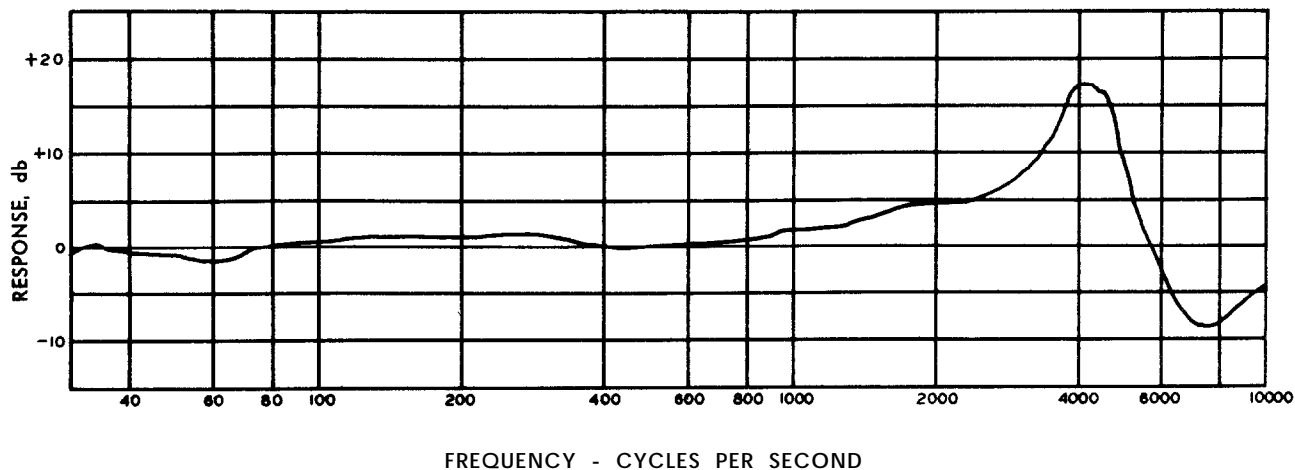
Microphone Switch Normally Open.

No Relay Switch.

Single Conductor Shielded Cable.

Other Switch and Cable Combinations Available on Special Order

TYPICAL FREQUENCY RESPONSE MODELS 101A, 102A, 105A



0 db=40 db Below One Volt Per Dyne Per Square Centimeter
 Recommended Operating Voltage - up to 6 Volts
 Recommended Operating Current - up to 15 Milliampères
 Microphone Resistance - 30 to 50 Ohms