

FD 6121 F Front Plate

- Front plate for delegate conference unit
- Flush-mounted installation
- Microphone and mute buttons



Description

The FD 6121 F front plate unit is a flush mounted unit designed to be used in combination with the MU 6040 D microphone units. The FD 6121 F is especially suited for installations where a flush mounted unit must take up minimal space with minimum components. The remaining components are fitted into the MU which can be mounted in a more spacious location.

The flush mounted unit features a microphone and a mute button. The microphone button enables the user to activate/deactivate the microphone. The mute button enables the user to mute their active microphone while the mute button is held down.

The FD 6121 F can be used in combination with the gooseneck microphones GM 652x the boundary microphone BM 6620.

The gooseneck microphone GM 652x can be locked to the unit with a 2 mm hex key. The lock is accessible from the small hole above the XLR socket. Turn the hex key clockwise to enable the lock and insert the gooseneck microphone into the XLR socket. Turn the hex key counter clockwise to disable the lock and remove the gooseneck microphone.

The boundary microphone BM 6620 can be retrofitted by replacing the XLR insert in the plastic adaptor with the boundary microphone. The moxex mini connector fits the microphone connector on the PCB.

The FD 6121 F can be combined with any conference units from the DCS 6000 Digital Conference System.

Features

The FD 6121 F has the following standard features:

- Standard conference unit for delegates
- Fully digital audio transmission
- Daisy chain topology with loop-through connections or star topology using junction boxes
- CAT 5e (or higher) F/UTP or U/FTP cabling
- Maximum 3800 conference units per system
- Support for four microphone operation modes; Automatic, FIFO, Manual and VOX (voice activation)
- Support for three microphone interrupt modes enabling 'ping pong' mode
- Auto off of microphones
- Lockable XLR gooseneck microphone connector
- Microphone and mute buttons with LED indicators
- Single cable connection to the MU 6040 D

Specifications

Interconnections

MU 6040 D	1 m integrated cable
Connector type	HD 15P
Microphone connection	3-pin female XLR

Mechanical

Dimensions (H x W x D)	90 x 90 x 28 mm
Cut out dimensions (H x W)	75 x 75 mm (important: corner radius max. R3.0)
Weight	100 g
Color	Black
Material	Anodized aluminium
Temperature range	5° to 40° C

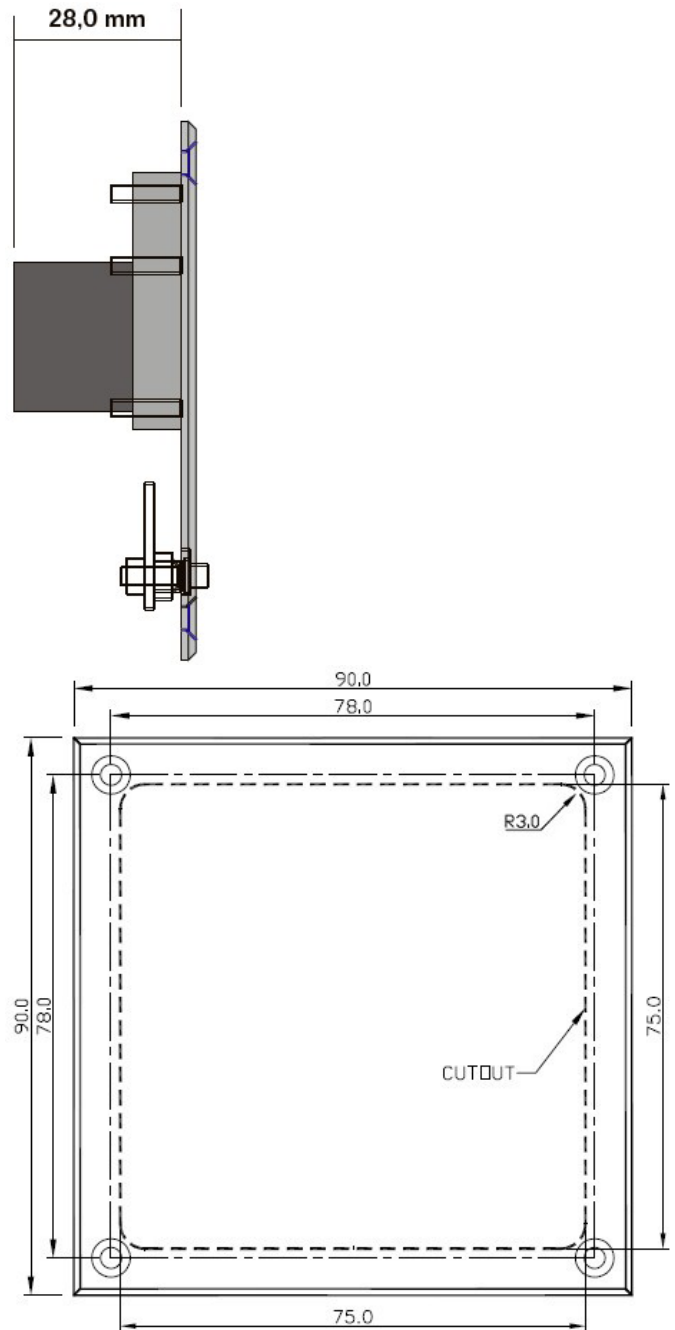
Certifications

The DCS 6000 system conforms to standard IEC 60914.

How To Order

Delegate front plate. Requires MU 6040 D.	FD 6121 F
Delegate mic unit for use with HM 4042 or FD front panel	MU 6040 D

Drawing



SHURE[®]
LEGENDARY
PERFORMANCE™

United States, Canada,
Latin America, Caribbean:
Shure Incorporated
5800 West Touhy Avenue
Niles, IL 60714-4608 USA

Phone: +1 847-600-2000
Fax: +1 847-600-1212 (USA)
Fax: +1 847-600-6446
Email: info@shure.com
www.shure.com

Europe, Middle East, Africa:
Shure Europe GmbH
Jakob-Dieffenbacher-Str. 12,
75031 Eppingen, Germany

Phone: +49-7262-92490
Fax: +49-7262-9249114
Email: info@shure.de
www.shure.eu

Asia, Pacific:
Shure Asia Limited
22/F, 625 King's Road
North Point, Island East
Hong Kong

Phone: +852-2893-4290
Fax: +852-2893-4055
Email: info@shure.com.hk
www.shureasia.com