

EASYFLEX EZG SERIES MICROPHONES



FEATURES

- Single gooseneck section near microphone base for easy orientation of the microphone.
- Tubular preamp body sized to fit many standard accessories.
- Slide on windscreen.

MODEL VARIATIONS

EZG/12: 305 mm (12 in.) gooseneck microphone.

EZG/18: 457 mm (18 in.) gooseneck microphone.

EZG/12SE: 305 mm (12 in) gooseneck microphone; in-

SPECIFICATIONS

Frequency Response (Figure 4)

50 to 17,000 Hz

Polar Pattern (Figure 5)

Cardioid

Output Impedance (at 1 kHz)

Rated at 150 Ω (180 Ω actual)

Open Circuit Sensitivity

(at 1 kHz, ref. 1 V/Pascal*)

-45.7 dB (5.19 mV)

*1 Pascal = 94 dB SPL

Maximum SPL

(1 kHz at 1% THD, 1 k Ω load)

129 dB

Equivalent Output Noise

(A-weighted)

29 dB SPL

Signal to Noise Ratio

(referenced to 94 dB SPL)

65 dB

Dynamic Range (at 1 k Ω Load)

100 dB

Common Mode Rejection

45 dB minimum

OVERVIEW

Shure Easyflex™ EZG and EZG-SE Series microphones are miniature gooseneck-mounted electret condenser microphones designed primarily for speech and vocal pickup. They can be mounted on lecterns, pulpits, or conference tables. All models include a preamplifier and are available with cardioid cartridges. EZG-SE Series microphones can be screwed onto a microphone stand or the supplied 5/8 inch, 27 threaded flange. They can be easily changed from side-exit to bottom-exit to conceal the cable.

- (SE) 5/8–27 threaded nut with cable exit provides a variety of mounting possibilities.
- EZG/18SE offers extended length for greater positioning range
- (SE) External preamp reduces visible size of the microphone.

cludes side exit option.

EZG/18SE: 457 mm (18 in) gooseneck microphone; includes side exit option.

Preamplifier Output Clipping Level (1 kHz at 1% THD, 1 k Ω load)

-12.0 dBV (0.25 V)

Polarity

Positive sound pressure on diaphragm produces positive voltage on pin 2 relative to pin 3 of output connector.

Power Requirements

11 to 52 Vdc phantom, 2.0 mA

Environmental Requirements

Operating Temperature Range: -18° C to 57° C (0° F to 135° F)

Relative Humidity: 0 to 95%

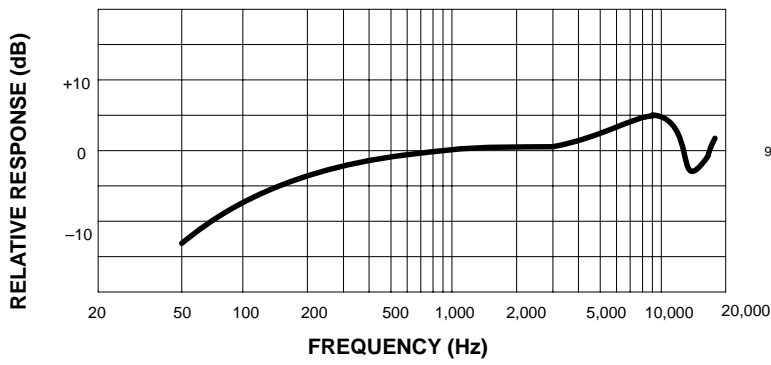
Dimensions (Figure 1)

Certification

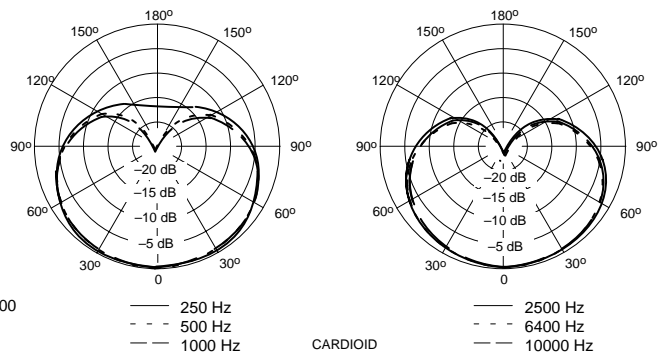
Eligible to bear CE Marking. Conforms to European EMC Directive 89/336/EEC. Meets applicable tests and performance criteria in European Standard EN55103 (1996) parts 1 and 2, for residential (E1) and light industrial (E2) environments.

REPLACEMENT PARTS

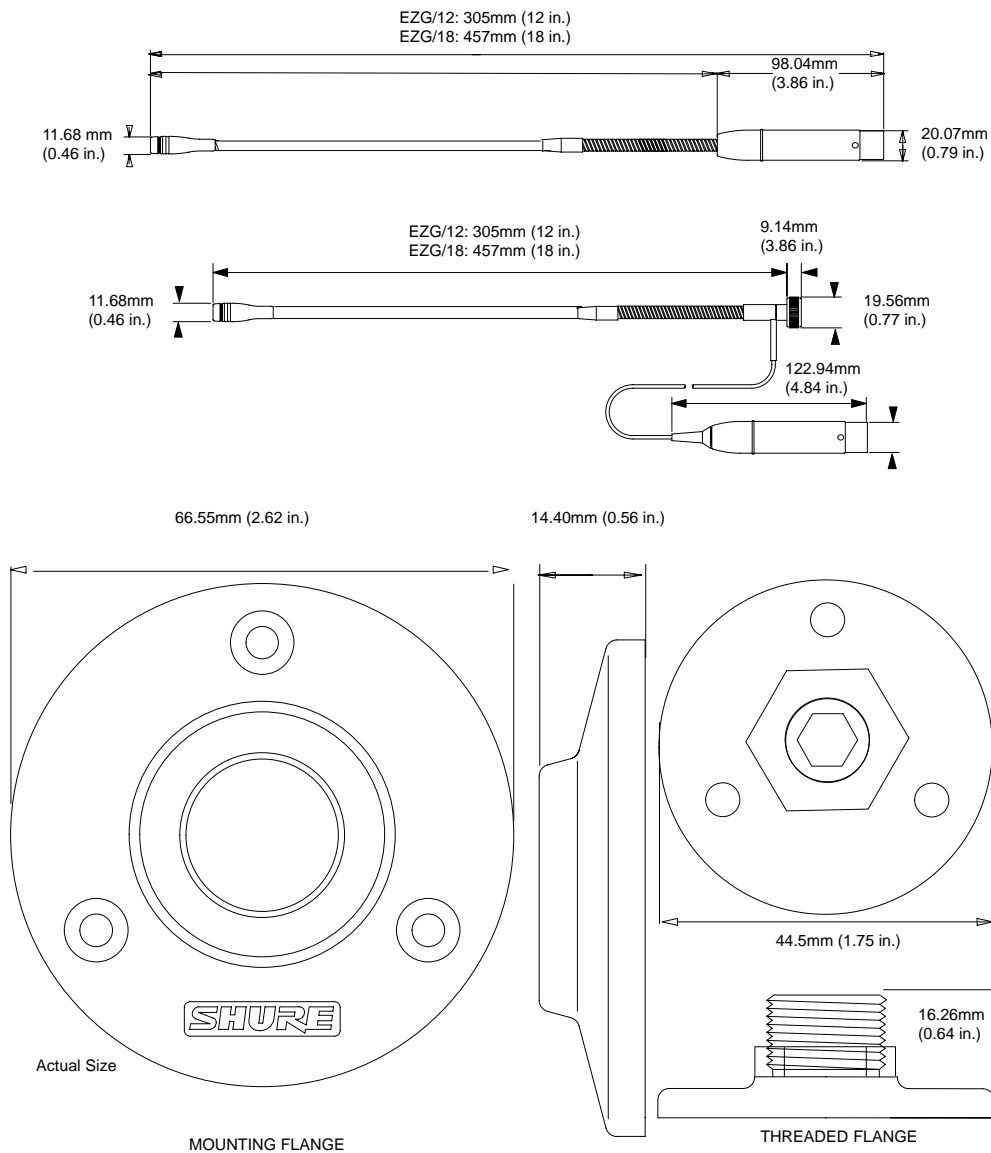
| | |
|---------------------------|--------|
| Threaded Flange Mount Kit | A12B |
| Foam Windscreen (4) | RPM310 |
| Flange Mount Kit | RPM640 |



TYPICAL FREQUENCY RESPONSE
FIGURE 4



TYPICAL POLAR PATTERNS
FIGURE 5



DIMENSIONS
Figure 1