

# Product Specifications

## PG52 Cardioid Dynamic Kick Drum Microphone

### Overview

The PG52 Cardioid Dynamic Kick Drum Microphone is a professional quality microphone designed to be used in kick drum and other low frequency applications. With rugged durability and excellent sound, the PG52 features a swivel joint for ease of placement, carrying pouch and choice of with XLR cable, or without.

### Features

- Tailored frequency response is smooth and extended. Tuned specifically for kick drum applications.
- Cardioid polar pattern picks up the most sound from in front of the microphone and some sound from the sides. Less susceptible to feedback in high volume settings.
- Dynamic cartridge has a simple, rugged coil. Handles extreme volume levels without distortion.
- Cartridge includes a neodymium magnet for high output level.
- Internal shock mount for reduced handling noise.
- Durable metal construction.
- Integral stand mount.
- Hardened steel mesh tapered grille that resists wear and abuse.
- Includes 15ft (4.57m) cable and storage bag.



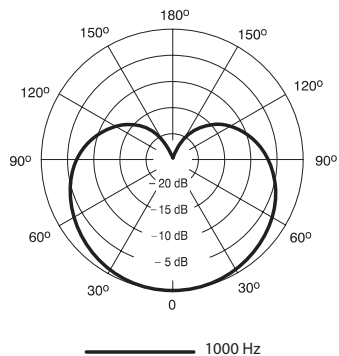
PG52

### Available Models

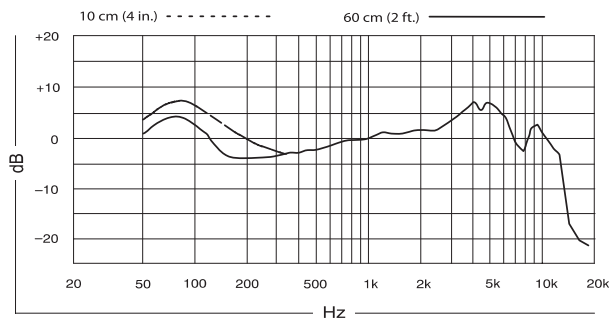
<b>PG52-XLR</b>	Includes an Integrated Stand Mount, 15ft (4.57m) XLR to XLR Cable, 5/8" to 3/8" Thread Adapter, and a Storage Bag.
<b>PG52-LC</b>	Includes an Integrated Stand Mount, 5/8" to 3/8" Thread Adapter, and a Storage Bag.

### Specifications

Microphone Type	Dynamic (moving coil)
Polar Pattern	Cardioid (unidirectional)
Frequency Response	30 to 13,000 Hz
Polarity	Positive pressure on diaphragm produces positive voltage on pin 2 relative to pin 3 of microphone output connector
Output Impedance (at 1000 Hz)	300 ohms
Sensitivity (at 1000 Hz)	-55 dBV/Pa, (1.8 mV), 1 Pascal=94 dB SPL
Electromagnetic Hum Sensitivity	25 dB equivalent SPL in a 1 millioersted field (60 Hz)
Connector	Three-pin professional audio connector (male XLR type)
Case	Die cast metal housing, black matte finish; hardened silver colored, tapered steel mesh grille; built-in locking stand adapter
Environmental Conditions	This microphone operates over a temperature range of -29 to 57 degrees Celsius (-20 to 135 degrees Fahrenheit), and at a relative humidity of 0 to 95%.
Weight	Net: 470 g (16.8 oz) Packaged: 1053 g (2 lbs 5 oz)



Polar Pattern  
Measured at 1000 Hz



Frequency Response

**SHURE**<sup>®</sup>  
LEGENDARY  
PERFORMANCE<sup>™</sup>