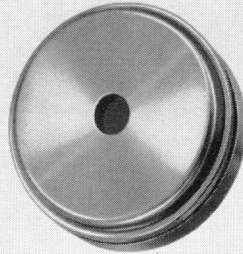


**SHURE**

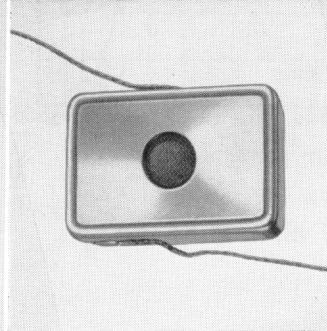
222 HARTREY AVE., EVANSTON, IL. 60204 U.S.A.

MICROPHONES AND ELECTRONIC COMPONENTS

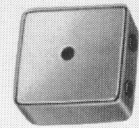
AREA CODE 312/328-9000 • CABLE: SHUREMICRO

**DATA SHEET****MC11J  
MODELS MC20AJ  
MC30J****SMALL  
CONTROLLED  
MAGNETIC  
MICROPHONES**

MC11J



MC20AJ



MC30J

	SPECIFICATIONS	SPECIFICATIONS	SPECIFICATIONS
Output Level	73 db below one volt per microbar (.225 mv) at 1000 Hertz measured across 1000 ohms.	72 db below one volt per microbar (.251 mv) at 2000 Hertz measured across 2000 ohms.	77.5 db below one volt per microbar (.131 mv) at 1000 Hertz measured across 2000 ohms.
Impedance	1000 ohms at 1000 Hertz	2000 ohms at 1000 Hertz	1850 ohms at 1000 Hertz
Frequency Response	400 Hertz to 4000 Hertz	400 Hertz to 4500 Hertz	400 Hertz to 3500 Hertz
Shielding	Mu-metal shield.		Mu-metal shield.
Terminals	Eyelet solder terminals.	1/2" (38.1mm) flexible leads.	Eyelet solder terminals.
Dimensions	See Fig. 4	See Fig. 5.	See Fig. 6.

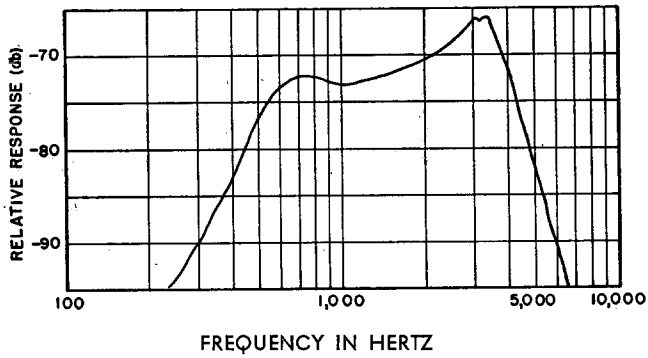
The new Shure Controlled Magnetic Microphones were specially designed for use in small, compact vacuum tube and transistor devices — wherever space is critical and reliability is essential. These models are equally adaptable to portable equipment or powered devices. These microphones are ideally suited for use with amplifiers, transmitters, dictating equipment, hearing aids, and all equipment where small size and weight are very important to the application.

The MC Series Microphones are rugged, magnetic units immune to varying conditions of heat and humidity. The stability of these microphones is assured by the same design principle used in Shure microphones for many years in military, mobile communication, dictating and recording applications.

Models MC11J and MC30J have an external mu-metal shield for use under unusual hum conditions. All models have excellent sensitivity in the frequency range most important for voice transmission. See Figures 1, 2, and 3.

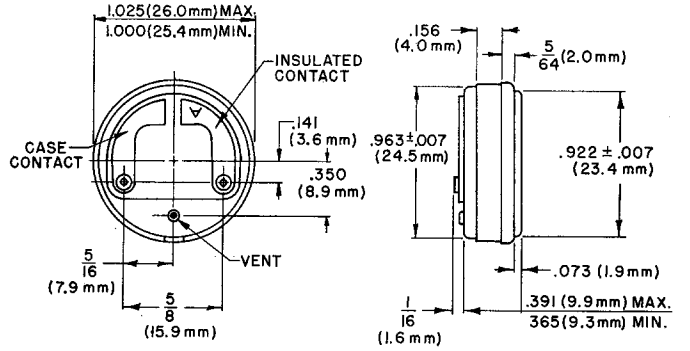
**Guarantee:** This Shure product is guaranteed in normal use to be free from electrical and mechanical defects for a period of one year from the date of purchase. Please retain proof of purchase date. This guarantee includes all parts and labor.

**Shipping Instructions:** Carefully repack the unit and return it prepaid to the factory. If outside the United States, return the unit to your dealer or Authorized Shure Service Center for repair. The unit will be returned to you prepaid.



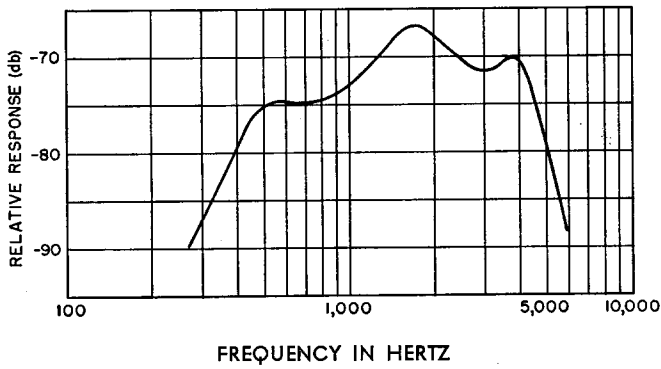
**MC11J**  
**RESPONSE FREQUENCY CHARACTERISTIC**

Figure 1.



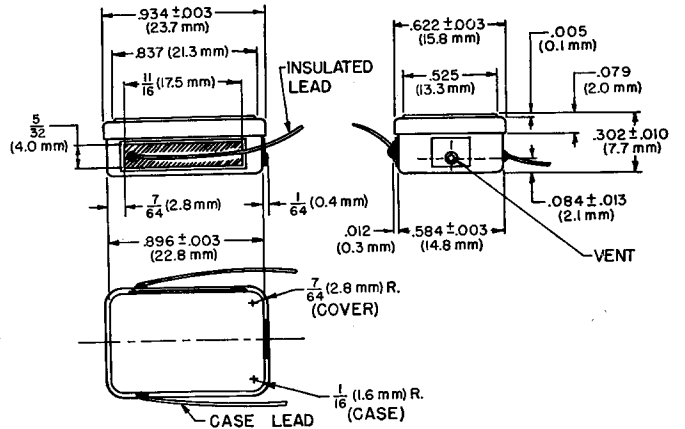
**MC11J**  
**OVERALL DIMENSIONS**

Figure 4.



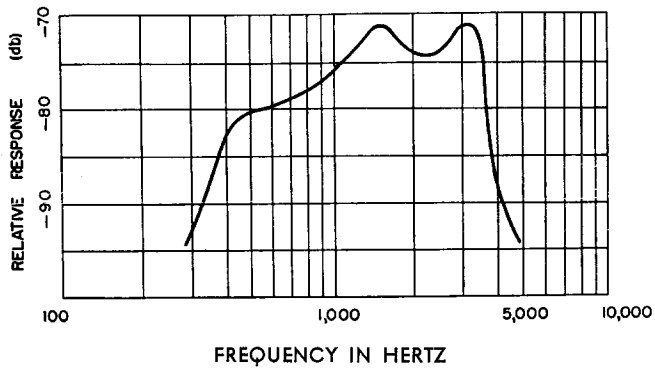
**MC20AJ**  
**RESPONSE FREQUENCY CHARACTERISTIC**

Figure 2.



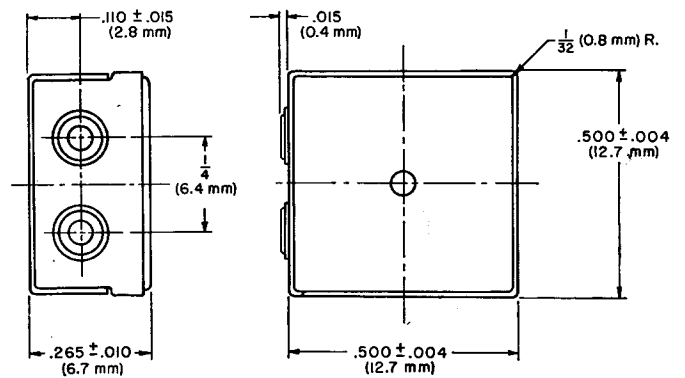
**MC20AJ**  
**OVERALL DIMENSIONS**

Figure 5.



**MC30J**  
**RESPONSE FREQUENCY CHARACTERISTIC**

Figure 3.



**MC30J**  
**OVERALL DIMENSIONS**

Figure 6.