

**GENERAL:** The Model SM51 is a small dynamic lavalier microphone designed for use in television, motion pictures, radio, and similar applications in which a small, wearable microphone of professional quality is required.

Features include:

- Frequency response optimized for lavalier use. Will match well, in sound, with stand or desk mounted microphones.
- Small size, lightweight.
- Positive-locking lavalier holder with adjustable clothing clip.
- Smooth exterior contours and recessed grille for minimum clothing noise.
- Rugged construction—steel case for strength and magnetic shielding.
- Cable field replaceable without disturbing cartridge.

The versatile "Positive-Lock" lavalier holder provides simple, noiseless adjustment of microphone position and holds the microphone firmly in the selected position. A belt clip is also provided to permit attaching the cable at the waistband to relieve cable weight and pull, absorb sudden tugs on the cable, and minimize cable noise.

**TO WEAR MICROPHONE:** Slide microphone through opening in lavalier assembly (Figure D). While pushing "cord lock" plunger on right side of lavalier assembly, slide cord into slot—adjust cord length and release plunger. Engage shirt or blouse with clip. The clip may be installed on lavalier assembly for right or left side opening or for vertical "pen clip" use; or may be removed by sliding clip out of slotted retainer.

**TO REMOVE MICROPHONE:** Disengage clip—push "Cord Lock" plunger and remove cord from lavalier assembly slot.

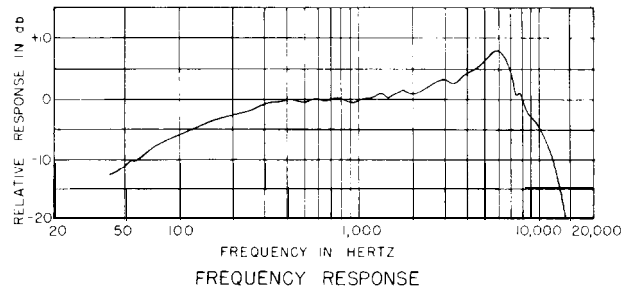
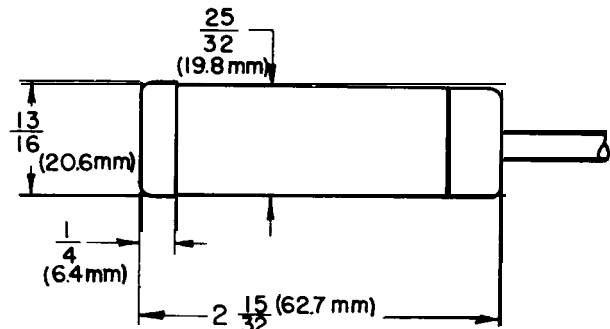


FIGURE A



OVERALL DIMENSIONS

FIGURE B

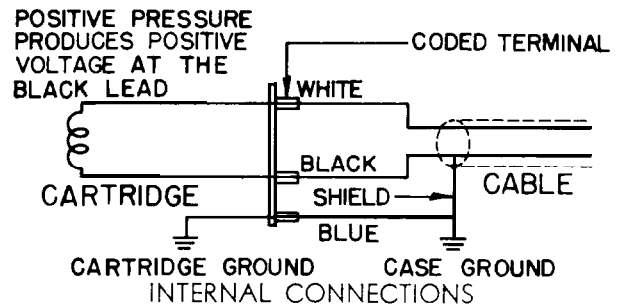


FIGURE C



LAVALIER ASSEMBLY AND BELT CLIP

FIGURE D

## SPECIFICATIONS:

**TYPE:** Dynamic

**FREQUENCY RESPONSE:** From 70 to 12,000 Hz. Rising Characteristic to 6,000 Hz. See Figure A.

**POLAR PATTERN:** Omni-directional

**IMPEDANCE:** Properly matches any low impedance input from 50 to 250 ohms

### VOLTAGE SENSITIVITY:

1,000 Hz. response

Open circuit voltage level . . . . . -82.0 db\*

Power level . . . . . -60.5 db\*\*

EIA Microphone Rating

Gm (sensitivity) . . . . . -153.5 db\*\*\*

Output level -0.079 millivolt per microbar

\* 0 db = 1 volt per microbar

\*\* 0 db = 1 milliwatt with 10 microbars

\*\*\* 0 db = EIA Standard SE-105, August 1949

**CABLE:** Non-detachable 30-foot, two-conductor shielded Broadcast type.

**CASE FINISH:** Non-reflecting gray with stainless steel grille

**DIMENSIONS:** See Figure B

## REPLACEMENT PARTS

The following replacement parts and accessories may be ordered through your authorized Shure Professional Microphone Distributor or from Shure Brothers, Incorporated.

<u>Description</u>	<u>Shure Part No.</u>
Cable . . . . .	70A2007
Lavalier Assembly . . . . .	A51L
Belt Clip . . . . .	94A240
Swivel Adapter . . . . .	

**NET WEIGHT:** (Less cable) 2 ounces (58 grams)

**SHIPPING WEIGHT:** 1½ Pounds (680 grams)

**GUARANTEE:** Each microphone is guaranteed to be free from electrical and mechanical defects for a period of one year from date of shipment from factory, provided all instructions are complied with fully. In case of damage, return the microphone to the factory for repairs.

**ARCHITECT'S SPECIFICATION:** The microphone shall be the Shure Brothers, Inc. Model SM51 Dynamic Lavalier Microphone or equivalent. The microphone shall be a moving-coil (dynamic) type microphone with a frequency range of 70 to 12,000 Hz. The unit shall have an omnidirectional polar characteristic. The microphone shall be a single impedance microphone having a rating impedance of 150 ohms. The microphone rating Gm (sensitivity) at 1,000 Hz. shall be within  $\pm 3$  db of -153 db (EIA Standard SE- 105, August 1949.)

The microphone shall be provided with a lavalier cord and clip assembly for use as a wearable microphone. The microphone shall be provided with a 30-foot, two-conductor shielded cable. The overall dimensions shall be 2-15/32 inches (62.7 mm) in length and 13/16 inches (20.6 mm) in diameter.