

GENERAL

The superb physical and acoustic design of the Model SM61 Professional Microphone makes it an outstanding choice for applications that range from remote broadcast interviews or sports coverage to onstage and television hand-held use. The SM61 microphone is virtually insensitive to wind, pop, and handling noises. Because of the unique VERAFLX® grille, the microphone is unparalleled in ruggedness.

The unusual combination of light weight and exceptionally low handling noise in the SM61 is achieved by a special built-in mechanical isolation system between microphone cartridge and case. Breath noise and popping are so effectively controlled by the integral wind and pop filter that the need for add-on windscreens is eliminated in all but the most adverse conditions. The VERAFLX grille protects the microphone against damage from a drop of up to 2 meters (6 feet), resists dents, and is impervious to rust, corrosion, and moisture.

Microphone Features:

- Very low sensitivity to handling and stand noise
- Built-in breath and pop filter eliminates pop and minimizes wind noise
- VERAFLX grille resists damage from drops, dent-proof and immune to rust, corrosion, and moisture
- Compact, handsome styling — looks good on stage, on screen, on television
- Durable — endures rough usage in the field or studio
- Excellent balance and feel for hand-held use
- Swivel adapter provides snap-in convenience for hand-held or stand-mounted use

VARIATIONS

Model SM61-LC: Supplied without cable.

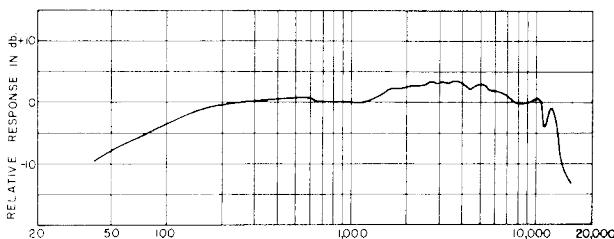
SPECIFICATIONS

Type

Dynamic

Frequency Response

50 to 14,000 Hz (See Figure 1)

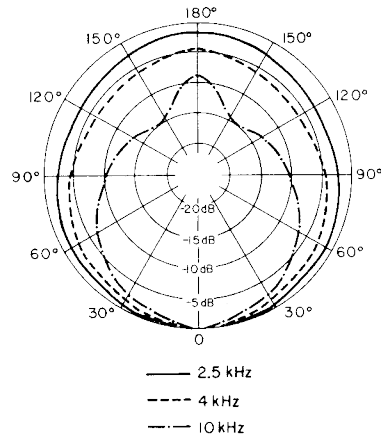


TYPICAL FREQUENCY RESPONSE
FIGURE 1



Polar Pattern

Omnidirectional (See Figure 2)



TYPICAL POLAR PATTERNS
FIGURE 2

Impedance

Microphone rating impedance is 150 ohms (175 ohms actual) for connection to microphone inputs rated at 19 to 300 ohms

Output Level (at 1000 Hz)

Open Circuit Voltage - 82.0 dB* (.08 mV)

Power Level - 60.5 dB**

*0 dB = 1 volt per microbar

**0 dB = 1 milliwatt per 10 microbars

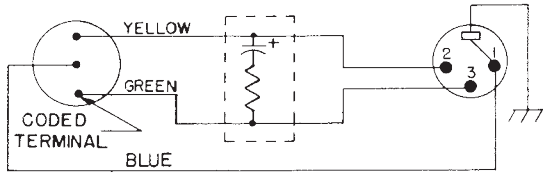
Hum Pickup (typical)

31 dB equivalent SPL in a 1 millioersted field

Phasing

Positive pressure on diaphragm produces positive voltage on pin 2 with respect to pin 3 (See Figure 3)

CARTRIDGE NETWORK THREE-PIN PROFESSIONAL AUDIO CONNECTOR



INTERNAL CONNECTIONS
FIGURE 3

Case

Aluminum and VERAFLX®

Finish

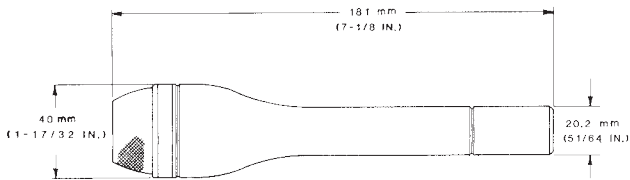
Matte metallic

Swivel Adapter

Snap-in, positive-action, adjustable from 0° to 90°, with standard 5/8"-27 thread

Dimensions

See Figure 4



OVERALL DIMENSIONS
FIGURE 4

Net Weight (less cable)

147 grams (5.2 ounces)

Packaged Weight

SM61-LC: 404 grams (14 oz)

ARCHITECT'S SPECIFICATIONS

The microphone shall be a moving coil (dynamic) type with a frequency response of 50 to 14,000 Hz. The unit shall have an omnidirectional horizontal polar characteristic. The microphone shall have a rating impedance of 150 ohms for connection to microphone inputs rated at 19 to 300 ohms.

The microphone output shall be -60.5 dB where 0 dB = 1 milliwatt per 10 microbars.

The microphone shall be provided with a swivel adapter adjustable through 90° from vertical to horizontal.

The overall dimensions shall be 181 mm (7 1/8 in.) in length and 40 mm (1 17/32 in.) in diameter.

The microphone swivel adapter shall permit the microphone to be placed into and removed from the adapter with a smooth "snap-in" movement. The adapter will be equipped with 5/8"-27 thread for mounting on a standard microphone stand fitting.

The microphone shall be the Shure Model SM61 or equivalent.

FURNISHED ACCESSORY

Swivel AdapterA57D

OPTIONAL ACCESSORIES

Desk StandS37A, S39A
Isolation MountA53M
TRIPLE-FLEX® Cable and Plug (7.6m – 25 ft)C25F
WindscreenA61WS

REPLACEMENT PARTS

CartridgeR61
Grille AssemblyRK164G

GUARANTEE

This Shure Product is guaranteed in normal use to be free from electrical and mechanical defects for a period of one year from date of purchase. Please retain proof of purchase date. This guarantee includes all parts and labor. This guarantee is in lieu of any and all other guarantees or warranties, express or implied, and there shall be no recovery for any consequential or incidental damages.

SHIPPING INSTRUCTIONS

Carefully repack the unit, insure it, and return it prepaid to:

Shure Brothers Incorporated
Attention: Service Department
1501 West Shure Drive
Arlington Heights, Illinois 60004

If outside the United States, return the unit to your dealer or Authorized Shure Service Center for repair. The unit will be returned to you prepaid.