



MODEL 515BSM UNIDIRECTIONAL DYNAMIC MICROPHONE

The Shure Model 515BSM is a low-impedance, dynamic microphone designed for hand-held or fixed use. The unidirectional (cardioid) pickup pattern provides excellent reproduction of voice and effective rejection of feedback. The microphones are supplied with a push-to-talk switch and a four-conductor, retractable cable (2 shielded conductor).

These microphones are especially suitable for use in paging systems, public speaking, stage performance, and public address systems. They are also highly recommended for other applications requiring both hand-held and fixed installation operations. The microphones are wired with the microphone circuit normally open for use in parallel microphone installations.

Features

- Frequency response optimized for announcing, narration, and paging applications
- Cardioid pickup pattern: symmetrical about axis
- Neodymium magnet for high signal-to-noise ratio
- Shock-mounted cartridge for quiet operation and low stand/handling noise
- Tough diecast, locking grille and handle resist wear from constant use and handling
- Built-in push-to-talk switch controls both microphone circuit and relay or control circuit

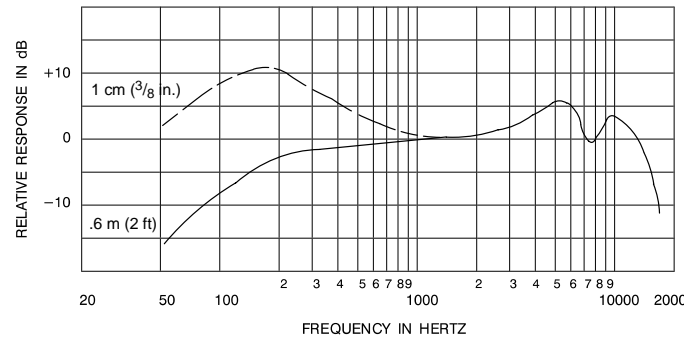
SPECIFICATIONS

Type

Dynamic (moving coil)

Frequency Response

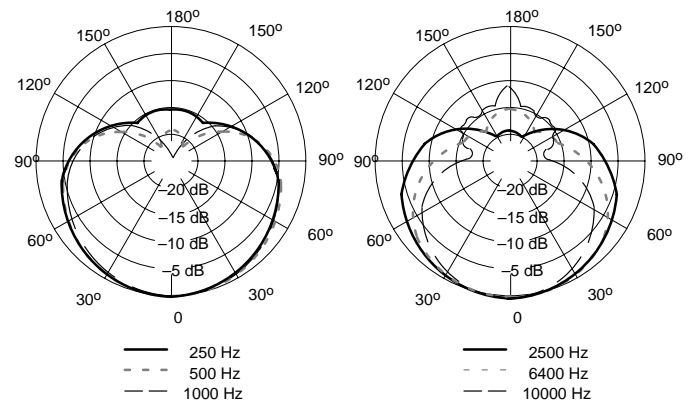
80 to 15,000 Hz (see Figure 1)



TYPICAL FREQUENCY RESPONSE
FIGURE 1

Polar Pattern

Cardioid (unidirectional). Effective rejection of sound at rear of microphone is uniform at all frequencies, while front pickup characteristics are uniform about axis (see Figure 2).



TYPICAL POLAR PATTERN
FIGURE 2

Impedance

150 Ω rated (180 Ω actual)

Output Level (at 1,000 Hz)

Open Circuit Voltage*: -57.0 dBV/Pa* (0.14 mV)
*1 Pa=94 dB SPL

Switch

Built-in, leaf-type, non-locking, push-to-talk

Shock Mount

Internal rubber vibration isolator

Cable

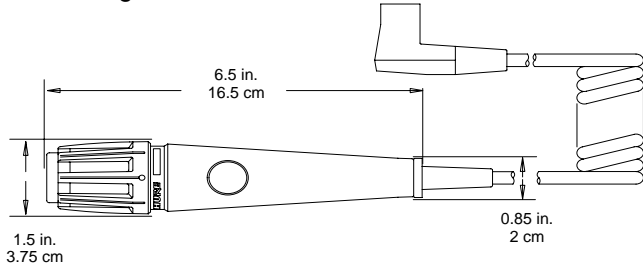
Highly durable, retractable cable with effective hum shielding, four conductors (two shielded), neoprene jacketed with 5-pin connector
 Length: 330 mm (13 in.) retracted
 1.83 m (6 ft) extended

Case

Silver finish die casting with black enamel diecast grille and stainless steel screen

Dimensions

See Figure 3



OVERALL DIMENSIONS
FIGURE 3

Certification

Conforms to European Union directives, eligible to bear CE marking; meets European Union EMC Immunity Requirements (EN 50 082-1, 1992).

CONNECTIONS

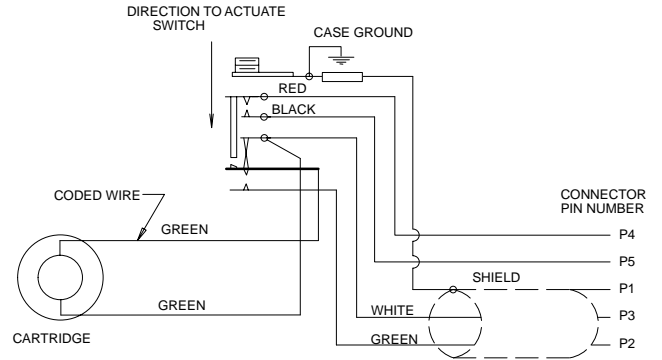
These low-impedance microphones are designed for connection to microphone inputs rated at 75 to 300 ohms. Using balanced-line low-impedance cables permits very long cable lengths without affecting response or level. The GREEN and WHITE cable leads are the microphone conductors for balanced-line connections; the shield is connected to the amplifier ground.

For unbalanced operation, connect the WHITE lead to the shield, and use the GREEN lead as the microphone conductor.

The RED and BLACK cable leads are used to control an external relay or control circuit.

Refer to the following tables and to the wiring diagram in Figure 4.

INPUT TYPE	WIRE COLOR	FUNCTION	XLR CONNECTOR
UNBALANCED	GREEN	AUDIO	PIN 2
	WHITE	AUDIO GROUND	PIN 3
	SHIELD	CHASSIS GROUND	PIN 1
BALANCED	GREEN	AUDIO +	PIN 2
	WHITE	AUDIO -	PIN 3
	SHIELD	CHASSIS GROUND	PIN 1



INTERNAL CONNECTIONS
FIGURE 4

MOUNTING

For non-handheld use, mount the 515BSM to a fixed pipe with a 5/8 in.-27 thread, screw a Shure A25C swivel adapter to the pipe, then insert the microphone in the adapter.

To mount the 515BSM to a wall or lectern, install a Shure A12B mounting flange, screw a Shure A25C swivel adapter to the mounting flange, then insert the microphone in the adapter.

Net Weight

515BSM 380 g (13.5 oz)

FURNISHED ACCESSORY

1.27 mm (.050 in.) Hex Wrench 80A67
 Swivel A25C
 Flange A12B

REPLACEMENT PARTS

Cartridge R180
 Grille Assembly RK334G
 Cable 90B4645
 Windscreen A1WS

For additional service or parts information, please contact Shure's Service department at 1-800-516-2525. Outside the United States, please contact your authorized Shure Service Center.



SHURE Incorporated <http://www.shure.com>
 United States, Canada, Latin America, Caribbean:
 5800 W. Touhy Avenue, Niles, IL 60714-4608, U.S.A.
 Phone: 847-600-2000 U.S. Fax: 847-600-1212 Int'l Fax: 847-600-6446
 Europe, Middle East, Africa:
 Shure Europe GmbH, Phone: 49-7131-72140 Fax: 49-7131-721414
 Asia, Pacific:
 Shure Asia Limited, Phone: 852-2893-4290 Fax: 852-2893-4055