

SHURE**MICROPHONES AND ELECTRONIC COMPONENTS**

EVANSTON PHONE DA 8-9000 • CHICAGO PHONE SH 3-1600

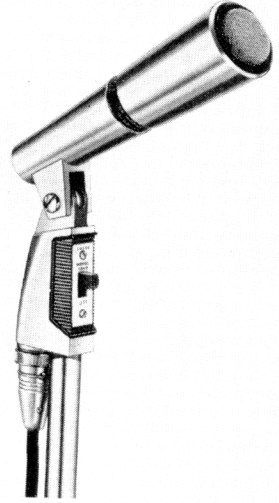
MODEL 550S**OMNIDIRECTIONAL DYNAMIC MICROPHONE**

General: The Shure Model 550S is a dynamic microphone designed to provide wide range reproduction of music and voice. This rugged omnidirectional microphone is ideal for quality public address, theatre-stage sound systems, and recording applications.

The microphone features:

- Exceptionally uniform response from 50 to 15,000 Hz.
- A small size, light weight
- A built-in "On-Off" switch
- Convenient impedance selection
- A swivel as an integral part of the microphone
- Versatility—for use on a floor or desk stand—indoors or outdoors
- Dependability under critical operating conditions
- Ruggedness—will operate for years without deviation from original standards

(NOTE: The Model 550S-Gold is identical to the Model 550S except 550S-Gold has gold finish.)

**Instructions for changing to Low Impedance:**

1. Remove the two No. 2-56 screws holding the switch to the connector and switch housing.
2. Remove the nameplate and take the switch out of the switch housing.
3. Disconnect the black lead (See Figure D) from its terminal and solder this black lead to the switch terminal which has the red lead connected to it.
4. Re-assemble switch and nameplate to switch housing. Tighten screws securely.

Guarantee: Each microphone is guaranteed to be free from electrical and mechanical defects for a period of one year from date of shipment from factory, provided all instructions are complied with fully. In case of damage, return the microphone to the factory for repairs. Our guarantee is voided if the microphone is subjected to accident or abuse.

ARCHITECTS SPECIFICATIONS SHURE MODEL 550S

The microphone shall be Shure Model 550S or equivalent. The microphone shall be a moving-coil (dynamic) type microphone with a frequency range of 50 to 15,000 Hz. The unit shall have an omni-directional polar characteristic. The microphone shall be a dual impedance unit—the “low” impedance for connection into a 50 to 250 ohm line and the “high” impedance for connection into a high impedance input. The microphone rating Gm (sensitivity) at 1,000 Hz. shall be within ± 3 db of the following levels:

Low Impedance.....—150.0 db*
 High Impedance.....—153.5 db*

*EIA Standard SE-105, August 1949

The microphone shall be provided with an adjustable swivel with a built-in “On-Off” switch. It shall have a detachable cable connector of the Amphenol MC3M type and a two conductor, shielded cable. The microphone shall mount on a stand having $\frac{5}{8}$ ”-27 thread. The overall dimensions shall be $4\frac{15}{16}$ ” (125.4 mm) in height, $1\frac{1}{2}$ ” (38.1 mm) in diameter, and $6\frac{7}{16}$ ” (163.5 mm) in depth.

OPTIONAL ACCESSORIES

Line Matching Transformer.....A95A
 Vibration-Isolation Stand.....S39A
 Desk Stand.....S36A
 Quick Disconnect Isolation Unit.....A47

REPLACEMENT COMPONENTS

Model R50 Dynamic Replacement CARTRIDGE
 Model C55 Cable and Plug Assembly
 Model 55A38 Replacement SWITCH

SPECIFICATIONS

Type: Dynamic
 Frequency Response: 50 to 15,000 Hz. (See Figure A)
 Polar Pattern: Omnidirectional (See Figure B)
 Impedance: Dual impedance for connection into a 50 to 250 ohm line, or high impedance input. The microphone is supplied connected high impedance. (See paragraph on changing to low impedance)

Voltage Sensitivity: 1,000 Hz. Response

Model 550S Low Impedance
 Open Circuit voltage.....— 78.5 db* (.118 mv.)
 Power Level.....— 57.0 db**
 EIA Microphone Rating
 Gm (sensitivity).....—150.0 db***
 Model 550S High Impedance
 Open Circuit voltage.....— 57.5 db* (1.32 mv)
 EIA Microphone Rating
 Gm (sensitivity).....—153.5 db***

* 0 db = 1 volt per microbar
 ** 0 db = 1 milliwatt with 10 microbars
 *** 0 db = EIA standard SE-105, August 1949

Switch: Built-in "On-Off" switch—an integral part of the connector assembly

Swivel: Positive action swivel to fit 5/8"-27 thread

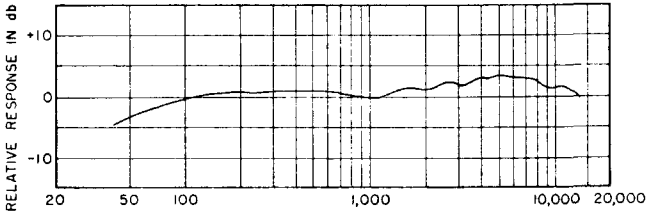
Cable: 15 foot (4.6 meter) two conductor, shielded, plastic jacketed with plug equivalent to the Amphenol 91-MC3M attached.

Finish: Satin chrome with stainless steel grille

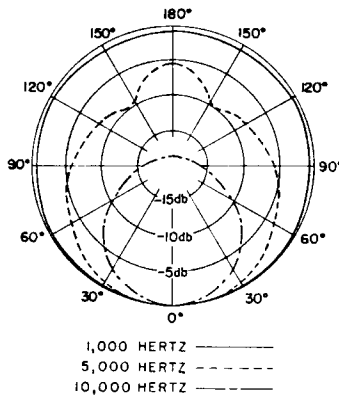
Dimensions: See Figure C

Net Weight
Less Cable: 15 ounces (425 grams)

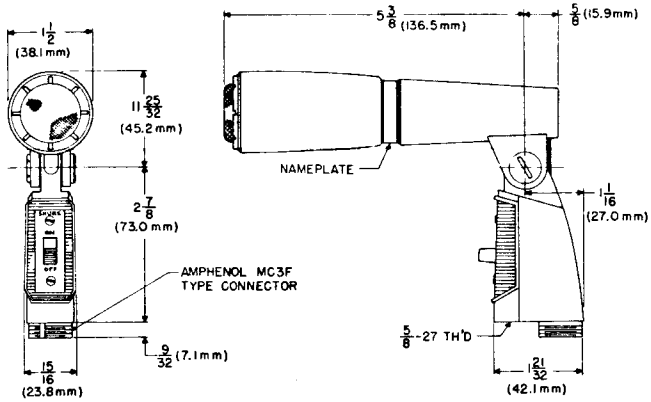
Packaged
Weight: 2¼ lbs. (1021 grams)



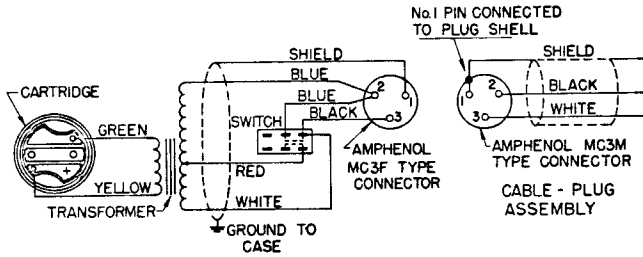
FREQUENCY RESPONSE IN HERTZ
FIGURE A



POLAR PATTERN
FIGURE B



OVERALL DIMENSIONS
FIGURE C



INTERNAL CONNECTIONS
FIGURE D