

UNIDIRECTIONAL DYNAMIC MICROPHONES WITH BUILT-IN VOLUME CONTROL

GENERAL

The Model 585SAV and 585SBV Microphones are unidirectional dynamic microphones with a very effective filter that provides excellent protection from wind and "pop" (explosive breath sounds). They feature fine reproduction of music and voice, and are ideal for use with high quality sound systems and tape recorders. The versatility of these microphones is enhanced by the inclusion of a built-in volume control which permits the user to change the volume of the sound system from the microphone location.

These microphones are particularly suitable for use in theaters, night clubs, auditoriums, schools, churches, indoors or outdoors, and any place where omnidirectional microphones may not operate properly because of poor acoustics or where wind creates a problem, such as during outdoor receptions, inaugurations, or sporting events. These microphones will, in almost every instance, eliminate the annoying loudspeaker "squeal" caused by feedback. In addition, they will prevent echoing (boominess) that sometimes occurs in partially-filled halls. These microphones can also be used closer to loudspeakers than usual, without creating feedback problems.

This suppression of feedback, combined with their smooth sound, makes these microphones particularly good for use with orchestras, small combos, and singers.

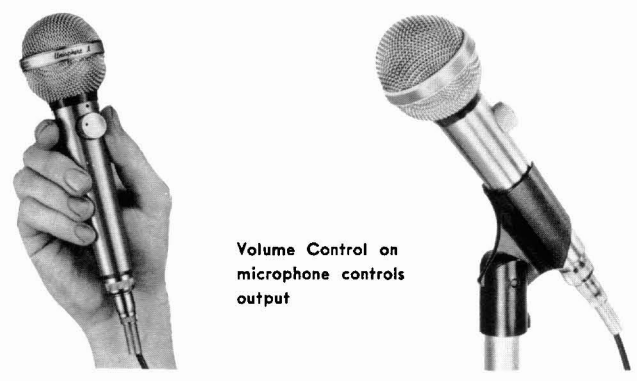
Microphone Features:

- A built-in wire-mesh screen with a special filter that provides protection from wind and "pop" (explosive breath sounds). Enables singers and speakers to perform close to the microphone.
- A strong, detachable cable, especially selected because of its good shielding from "hum pickup."
- A replaceable microphone cartridge that is simple to change in the field.
- A cartridge that is protectively shock-mounted internally. Minimizes handling noise.
- An adjustable swivel adapter that enables you to aim the microphone where you want it.

The Model 585SAV is high impedance for connection to high impedance microphone inputs.

The Model 585SBV is low impedance for connection to microphone inputs rated at 19 to 300 ohms. The low-impedance microphone is recommended where long cable lengths are required or under conditions of severe hum disturbance. The permissible cable length is practically unlimited, since neither response nor level is appreciably affected. Shure Model A95 Series Line Matching Transformers are available for use in those cases where a low-impedance microphone line is desirable but the associated amplifier has a high-impedance input.

The built-in volume control feature of these microphones allows the performer to adjust the volume of the sound system being used to suit the requirements of the performance. With the control on the microphone partially turned down (turn knob counterclockwise so that dot on knob is at 9 o'clock position), the basic overall loudness of the PA system can be adjusted

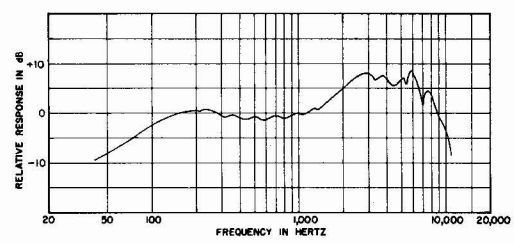


by the main volume control at the amplifier location—then the user can adjust the volume up or down at the microphone position. Maximum volume occurs when the dot on the knob is adjacent to the dot on the microphone (12 o'clock position). In many instances, minimum setting of the volume control will reduce volume sufficiently so that the volume control can be used as an On-Off switch.

SPECIFICATIONS

Type
Dynamic

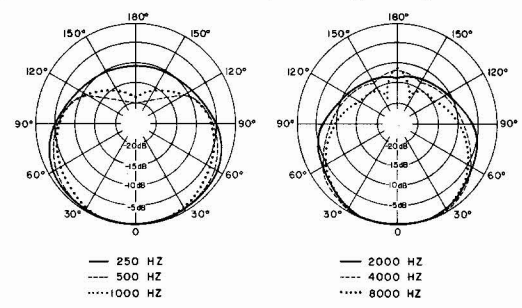
Frequency Response
50 to 13,000 Hz (See Figure 1)



TYPICAL FREQUENCY RESPONSE
FIGURE 1

Polar Pattern

Cardioid (unidirectional)—uniform with frequency, symmetrical about axis (See Figure 2)



TYPICAL POLAR PATTERNS
FIGURE 2

Impedance

Model 585SAV—Microphone impedance is “High” for connection to high-impedance microphone inputs.

Model 585SBV—Microphone rating impedance is 150 ohms (140 ohms actual) for connection to microphone inputs rated at 19 to 300 ohms.

Output Level (at 1,000 Hz)

	585SAV	585SBV
Open Circuit Voltage*	-61 dB (0.89 mV)	-82 dB (0.08 mV)
Power Level**		-59 dB

*0 dB = 1 volt per microbar
**0 dB = 1 milliwatt with 10 microbars

Control

Built-in volume control to control amplifier output at microphone position

Cartridge Shock Mount

Internal rubber vibration-isolator

Cable

585SAV—4.6m (15 ft) one-conductor shielded with Amphenol type MC1F connector on microphone end

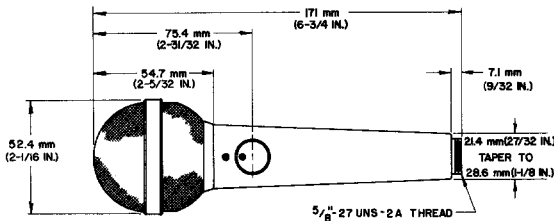
585SBV—4.6m (15 ft) two-conductor shielded with Amphenol type MC2M connector on microphone end

Case

Chrome-plated die casting with steel mesh grille

Dimensions

See Figure 3



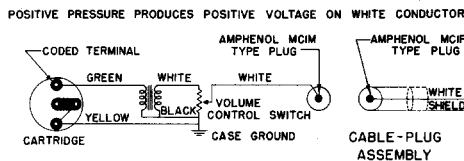
OVERALL DIMENSIONS
FIGURE 3

Net Weight (less cable)

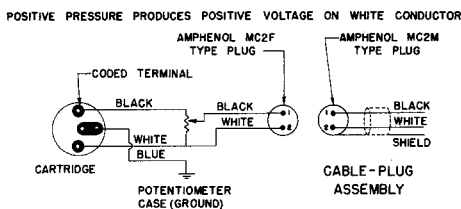
354 grams (12½ oz)

Packaged Weight

851 grams (1 lb, 14 oz)



585SAV INTERNAL CONNECTIONS
FIGURE 4



585SBV INTERNAL CONNECTIONS
FIGURE 5

ARCHITECTS' SPECIFICATIONS

The microphone shall be the Shure Model 585SAV, 585SBV, or equivalent. The microphone shall be a moving coil (dynamic) type with a frequency response of 50 to 13,000 Hz. The unit shall have a cardioid polar characteristic. The cancellation at the sides shall be approximately 6 dB, and the cancellation at the rear shall be 15 to 20 dB.

Model 585SAV shall be high impedance for connection to high-impedance microphone inputs.

Model 585SBV shall be low impedance with a rated impedance of 150 ohms for connection to microphone inputs rated at 19 to 300 ohms.

The microphone output shall be:

585SAV -61 dB
(0 dB = 1 volt per microbar)

585SBV -59 dB
(0 dB = 1 milliwatt with 10 microbars)

The microphone shall be equipped with a built-in volume control. The microphone shall be provided with a swivel adapter, adjustable through 90° from vertical to horizontal, and suitable for mounting on a stand having a 5/8\"-27 thread.

Model 585SAV shall be provided with a detachable 4.6m (15 ft) one-conductor shielded cable with an Amphenol type MC1F connector at the microphone end.

Model 585SBV shall be provided with a detachable 4.6m (15 ft) two-conductor shielded cable with an Amphenol type MC2M connector at the microphone end.

The overall dimensions of the microphone shall be 171 mm (6-3/4 in.) in length and 52.4 mm (2-1/16 in.) in diameter.

FURNISHED ACCESSORY

Swivel Adapter A25B

OPTIONAL ACCESSORIES

Line Matching Transformer A95 Series
Windscreen A61WS
Desk Stand S33B, S37A, S39A or S40A
Disconnect Adapter A45

REPLACEMENT PARTS

	585SAV	585SBV
Cartridge	R85	R85
Cable	C58	C57
Volume Control	RK93S	—
Case Assembly	RK92C	RK148C
Screen and Grille Assembly	RS85	RS85
Cable Connector	RK114P	RK115P
Plug Element	—	RK52P

GUARANTEE

This Shure product is guaranteed in normal use to be free from electrical and mechanical defects for a period of one year from date of purchase. Please retain proof of purchase date. This guarantee includes all parts and labor. This guarantee is in lieu of any and all other guarantees or warranties, express or implied, and there shall be no recovery for any consequential or incidental damages.

SHIPPING INSTRUCTIONS

Carefully repack the unit and return it prepaid to:
Shure Brothers Incorporated
Attention: Service Department
1501 West Shure Drive
Arlington Heights, Illinois 60004

If outside the United States, return the unit to your dealer or Authorized Shure Service Center for repair. The unit will be returned to you prepaid.