

GENERAL DESCRIPTION

The AM8T handheld, amplified, noise-canceling DTMF communications microphone is FAA Certified for aircraft application (TSO-C58a). In addition to its extremely clear transmission, even in noisy environments, the AM8T has very low sensitivity to hum pickup and low susceptibility to radio frequency interference.

Audio and DTMF levels can be independently adjusted with the supplied screwdriver to match the transmitter input gain. These protected external controls prevent accidental changes by the user while allowing adjustments without having to disassemble the microphone case.

The microphone has an illuminated keypad made of tough silicone rubber, with durable printed characters that will last the life of the microphone. The keypad is backlit by red LEDs, easily visible during night operation, minimizing eye readjustment for night vision.

The AM8T is designed for use with most currently available aircraft radios. For convenience, all microphone and signaling functions, including keypad illumination, are powered directly from the microphone input circuit of most transmitters, reducing the need for equipment modification. A five-conductor MODULINK® cable (sold separately) connects the modular telephone-type socket of the AM8T to most aircraft radios using a PJ-068 plug. This cable can be instantly changed or replaced without soldering.

The AM8T is ergonomic, fitting naturally and comfortably in the hand. The voice-entry port is at the top of the microphone body for simple, natural transmitting. The microphone is not affected by heat or humidity, and the rugged ARMO-DUR® case is immune to oil, grease, most fumes and solvents, salt spray, sun, rust and corrosion. The AM8T is outstanding in its ability to withstand mechanical shocks and vibration. Its Million-Cycle Plus™ leaf-type switch is a double-pole, single-throw type that resists the effects of severe operating conditions and constant use. It has nickel-silver blades with palladium alloy contacts for reliable oxidation-free operation.

The microphone is supplied with output levels factory preset to meet TSO-C58a requirements. Adjustments should be made only by an FAA Approved Service Facility or the Shure Service Department.

The AM8T is supplied with a small screwdriver for releasing the modular-plug microphone cable from the case and for adjusting the microphone amplifier gain and DTMF level. A nickel-plated steel mounting bracket is included for mounting on or near radio equipment.

PART OF A COMPLETE LINE

The 598T is part of a full line of mobile microphones, circuitry products and related accessories.

For a complete listing, contact your Shure Representative or visit www.shure.com.

APPLICATIONS

- Aerospace

FEATURES

- FAA CERTIFIED FOR AIRCRAFT USE
- DETACHABLE MODULINK® MODULAR PLUG COIL CORD WITH PJ-068 AIRCRAFT-RADIO PLUG OR A4M TYPE CONNECTOR
- NOISE-CANCELING WITH FREQUENCY RESPONSE TAILORED FOR OPTIMUM INTELLIGIBILITY
- TOP-TALK SOUND CHANNEL™ FOR CLEAR VOICE INPUT, EASY HANDLING
- BUILT-IN TRANSISTOR AMPLIFIER POWERED BY CARBON-MICROPHONE-TYPE CIRCUIT
- ILLUMINATED KEYPAD WITH POSITIVE TACTILE CONFIRMATION AND AUDIBLE VERIFICATION TONES
- SIMPLE EASY-TO-USE CONTINUOUS-TONE DIALING
- SCREWDRIVER ACCESSIBLE DTMF LEVEL ADJUSTMENT, INDEPENDENT OF MICROPHONE GAIN SETTING
- LOW SENSITIVITY TO HUM AND RF INTERFERENCE
- RUGGED MILLION-CYCLE PLUS™ LEAF-TYPE SWITCH STANDS UP UNDER SEVERE ENVIRONMENTS AND CONSTANT USE
- HIGH IMPACT ARMO-DUR® CASE, STRONG, LIGHTWEIGHT, COMFORTABLE TO THE TOUCH IN HOT OR COLD ENVIRONMENTS
- RUGGED AND DEPENDABLE UNDER ALL OPERATING CONDITIONS

SET-UP

The AM8T is equipped with a rear-case hang-up button for use with a mounting bracket on associated equipment.

CONNECTIONS

To attach the cable to the AM8T, insert the modular telephone-type plug in the microphone jack until it locks. To remove the cable from the microphone, unlock the plug by inserting the small screwdriver supplied with the AM8T in case hole "A" just above the cable jack (see Figure 4). Microphone connector wiring is shown in the table below. The ALM-88 cable is wired at the microphone connector as shown in Figure 3.

Table 1. Microphone Connector Wiring

Pin	Color	Function	Pin	Color	Function
1	—	N.C.	5	Black	PTT Switch Ground
2	White	Dc Bias (+), Audio Out	6	Red	Audio Out (Ac coupled)
3	Yellow	PTT Switch	7	Drain	Ground
4	Blue	NC	8	—	N.C.

OPERATION

Voice Transmission

1. Hold the microphone comfortably in the hand positioned so that the Top-Talk Sound Channels™ at the top of the case are near the mouth. The clearest sound is often obtained with the microphone at the corner of the mouth, with the cable away from the face.
2. Depress the push-to-talk button and make sure the equipment is in the transmit mode before speaking.

Dialing

1. Press and hold the push-to-talk button.
2. Press the desired keypad buttons in sequence. A high-pitched tone will confirm that the code has been transmitted. (The microphone audio is muted during DTMF tone transmission.)

Operation of microphone and DTMF functions requires that the AM8T be connected to the communications equipment and that the equipment power is turned on.

After connection to the communications set, turn the equipment power On. Pressing the push-to-talk switch and observing the keypad LED backlighting can verify power application.

Factory preset microphone audio and DTMF levels are correct for aircraft radios with standard input circuits (as defined in RTCA DO-170), and level adjustment should not ordinarily be necessary. When such adjustment is necessary, it should be performed only by Shure Incorporated or by an FAA Approved Service Facility.

Use the supplied screwdriver to adjust the microphone sensitivity and DTMF output levels as follows:

1. **Microphone sensitivity:** Press the push-to-talk button and speak normally into the microphone while checking transmitter modulation. Adjust the microphone sensitivity control (case back, hole "B" in Figure 4) and repeat the talk test as required.
2. **DTMF output:** Press and hold the push-to-talk button. Depress and hold down a keypad button for a continuous tone. Adjust the DTMF output control (case back, hole "C" in Figure 4) as required.

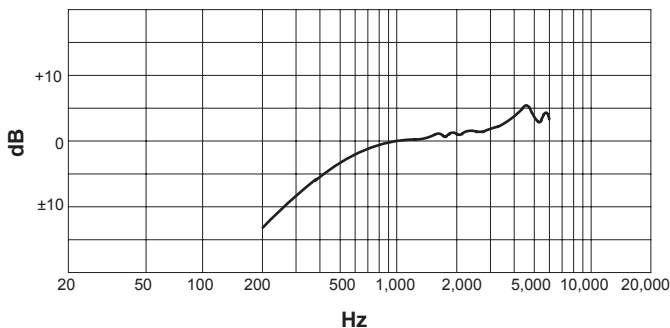
SPECIFICATIONS

Type

Electret condenser, noise canceling, with transistor pre-amplifier, DTMF signaling circuitry, illuminated keypad

Frequency Response

200 to 4,000 Hz (see Figure 1)



TYPICAL FREQUENCY RESPONSE
FIGURE ONE

Polar Pattern

Bidirectional, noise canceling

Electrical Characteristics

	Operating Voltage			Notes
	8 V	12 V	28 V	
Audio Output Level* (100 μbar acoustic test signal at 1 kHz, 10 mm)	-11.5 dBV (266 mV)	-11.0 dBV (281 mV)	-10.0 dBV (316 mV)	Audio trim-pot in factory preset position
DTMF Output Level	-12.8 dBV (230 mV)	-12.0 dBV (250 mV)	-11.2 dBV (275 mV)	DTMF trim-pot in factory preset position
Dc Supply Current**	6 mA	12 mA	36 mA	

*Standard electrical test circuit per RTCA DO-170

**Microphone is powered only while PTT switch is depressed (standby current = 0 if PTT switch is released)

Environmental Conditions

Operating Temperature: -40 to 60° C (-40 to 140° F)

Storage Temperature: -54 to 85° C (-65 to 185° F)

Relative Humidity: 0 to 95% (non-condensing)

Microphone Connector

6-conductor modular telephone type

PTT Switch Assembly

Mechanical: Double-pole, single-throw, leaf-type, normally open

Cable

ALM-88, detachable MODULINK®, 1.8 m (6 ft) extended cord with modular plug on microphone end and PJ-068 aircraft connector on equipment end; and ALM-89 with A4M type connector.

Construction

Case: Black textured high-impact ARMO-DUR®

Switch Button: Black ARMO-DUR®

Keypad: Molded silicone rubber

Dimensions

See Figure 2

Net Weight (including cable and connector)

283 g (10 oz)

Replacement Parts

Modular plug-cable with PJ-068 plug assembly..ALM-88
A4M type connector.....ALM-89

Furnished Accessories

Screwdriver 80B498

Optional Accessories

Mounting Bracket (3 in kit) RK6MB

FAA Certification

The Model AM8T is FAA Certified for aircraft use under FAA TSO-C58a requirements. To maintain this FAA Certification, any service required for the Model AM8T must be performed by Shure Incorporated or by an FAA Approved Service Facility.

Warranty

Shure Incorporated ("Shure") hereby warrants that this product will be free in normal use of any defects in materials and workmanship for a period of one year from the date of purchase for all cartridge and housing assembly parts and for a period of one year from the date of purchase for all transmitter parts. At its option Shure will repair or replace the defective product and promptly return it to you, or refund the purchase price. You should retain proof of purchase to validate the purchase date and return it with any warranty claim. If you believe this product is defective within the warranty period, carefully repack the unit, insure it and return it postage prepaid to:

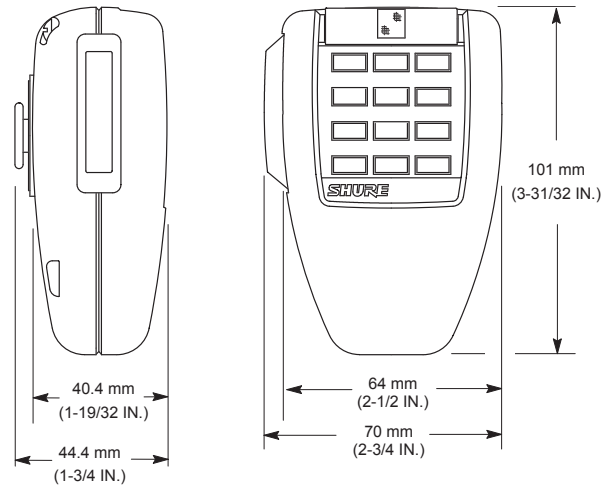
Shure Incorporated
 Attention: Service Department
 5800 W. Touhy Avenue
 Niles, IL 60714-4608 U.S.A.

Outside of the United States, return the product to your dealer or Authorized Service Center.

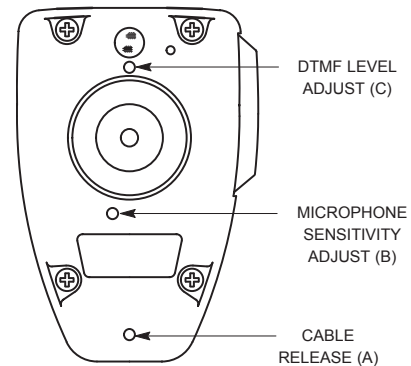
This warranty does not apply in cases of abuse or misuse of the product, use contrary to Shure's instruction, ordinary wear and tear, an act of God or unauthorized repair. All implied WARRANTIES OF MERCHANTABILITY or FITNESS FOR A PARTICULAR PURPOSE are hereby disclaimed and Shure hereby disclaims liability for incidental, special, or consequential damages resulting from the use or unavailability of this product. Some states do not allow limitations on how long an implied warranty lasts, or the exclusion or limitation of incidental or consequential damages, so the above limitation may not apply to you. This warranty gives you specific legal rights, and you may have other rights which vary from state to state.

THIS WARRANTY SUPERSEDES ALL OTHER WARRANTIES THAT ARE ASSOCIATED OR INCLUDED WITH THIS PRODUCT.

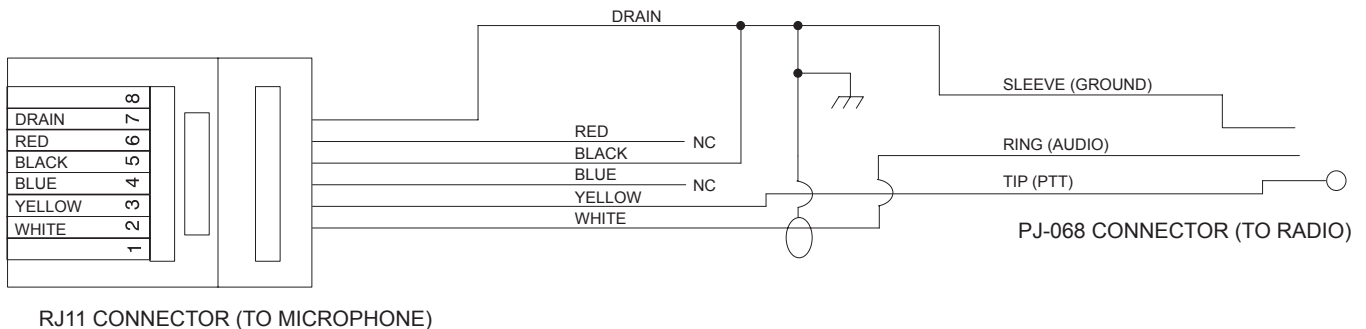
FIGURES



OVERALL DIMENSIONS
FIGURE TWO



MICROPHONE CASE BACK
FIGURE FOUR



MODULINK CABLE WIRING
FIGURE THREE

ENVIRONMENTAL QUALIFICATION FORM, TSO-C58A

ENVIRONMENTAL QUALIFICATION FORM, TSO-C58a

DO-170 PARA. #	CONDITIONS	DO-160C PARA. #	DESCRIPTION OF TESTS
3.1.1	Ground Survival Low Temperature and Operating Low Temperature	4.5.1	Microphone tested to Category D1
3.1.2	Ground Survival High Temperature and Short-Time Operating High Temperature	4.5.2	Microphone tested to Category D1
	Operating High Temperature	4.5.3	Microphone tested to Category D1
3.1.3	Altitude	4.6.1	Microphone tested at altitude equivalent to 15,200 m (50,000 ft) = 11.6 kPa (116 mbar, 87 mm [3.42 in.] Hg)
3.1.4	Decompression	4.6.2	Microphone tested at altitude equivalent to 15,200 m (50,000 ft)
3.1.5	Overpressure	4.6.3	Microphone tested at pressure = 170 kPa; equivalent altitude = -15,000 ft
2.11 & 3.2	Temperature Variation – Pre-amplifier	5.3	Microphone tested to Category B for two cycles.
3.3	Humidity	6.3.1	Microphone tested to Category A for 2 cycles.
3.5	Vibration	8.5	Microphone tested to Categories N, B, & M (Table 8-1, Not on Vibration Isolators)**
3.6	Magnetic Effect	15.3	Microphone tested to Equipment Class Z; no magnetic properties
3.7	Voltage Spike Conducted	17.3	Microphone tested to Category A
3.8.1	Induced Signal Susceptibility*	19.3	Microphone tested to Category Z
3.9	Radiated rf Susceptibility*†	20.5†	Microphone tested to Category A
3.10	Emission of rf Energy*	21.4	Microphone tested to Category Z
3.11	Final Distortion		After all required environmental tests microphone meets requirements of DO-170, 2.2
3.12	Push-To-Talk Switch Life		After all required environmental tests microphone meets requirements of DO-170, Appendix B, T-7 and 2.9
	Fire Retardance		In accordance with FAR 25; 25.869(a)(4) and Appendix F, Part I (a)(3)(b)***

*Tests performed at Radiometrics Midwest Corporation, Lombard, IL

†Tested to DO-160B

**Tests performed at Elite Electronic Engineering,

Downers Grove, IL

***Tests performed at Gaynes Test Laboratories, Chicago, IL

All other tests performed at Shure Inc., Evanston, IL

INFORMATION TO USERS

This equipment has been tested and found to comply with the limits for a Class B digital device pursuant to Part 15 of the FCC Rules. These limits are designed to provide reasonable protection against harmful interference in a residential installation. This equipment generates, uses, and can radiate radio frequency energy, and, if not installed and used in accordance with the instructions, may cause harmful interference to radio communications. However, there is no guarantee that interference will not occur in a particular installation.

If this equipment does cause harmful interference to radio or television reception, which can be determined by turning the equipment off and on, the user is encouraged to try to correct the interference by one or more of the following measures:

- Reorient or relocate the receiving antenna.
- Increase the separation between the microphone and receiver.
- Connect the microphone transmitter into an outlet on a circuit different from that to which the receiver is connected.

Consult the dealer or an experienced radio/TV technician for help.



SHURE Incorporated Web Address: <http://www.shure.com>
 5800 W. Touhy Avenue, Niles, IL 60714-4608, U.S.A.
 In U.S.A., Phone: 1-847-600-2000 Fax: 1-847-600-1212
 In Europe, Phone: 49-7131-72140 Fax: 49-7131-721414
 In Asia, Phone: 1-852-2893-4290 Fax: 1-852-2893-4055
 International Fax: 1-847-600-6446